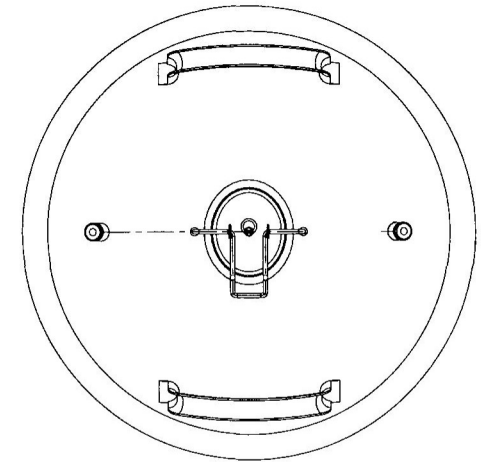
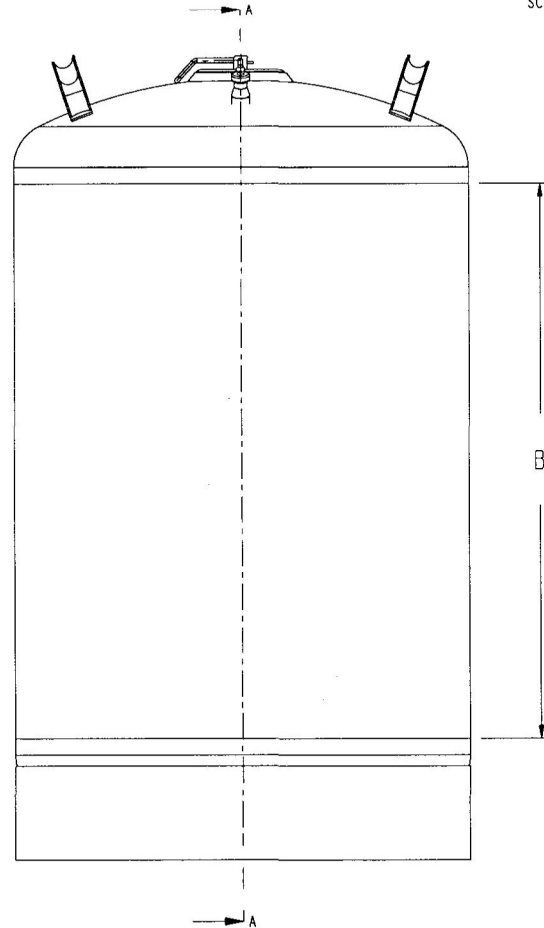
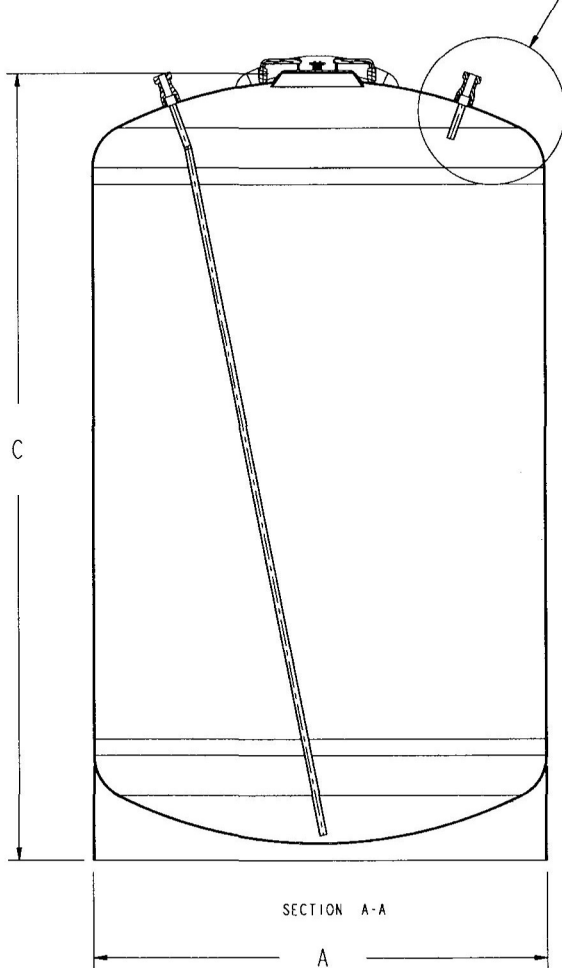


DETAIL DETAIL A
SCALE 0.500



SEE DETAIL DETAIL A



CAD GENERATED DRAWING DO NOT MANUALLY UPDATE UNLESS OTHERWISE SPECIFIED TOLERANCES OR DIMENSIONS PER TABS0109		De Jong IMEX BV	
THIRD ANGLE PROJECTION	DRAWN	DATE	TITLE RVS DRUK TANK
	CHECKED		
	APPROVED		
FINISH	ENG APPVL	SIZE A2	CODE IDENT NO
		SCALE 0.250	DWG NO. TANK-DRAWING
			REV A
			SHEET 1 OF 1

8 | 7 | 6 | 5 | 4 | 3 | 2 | 1

F
E
D
C
B
A